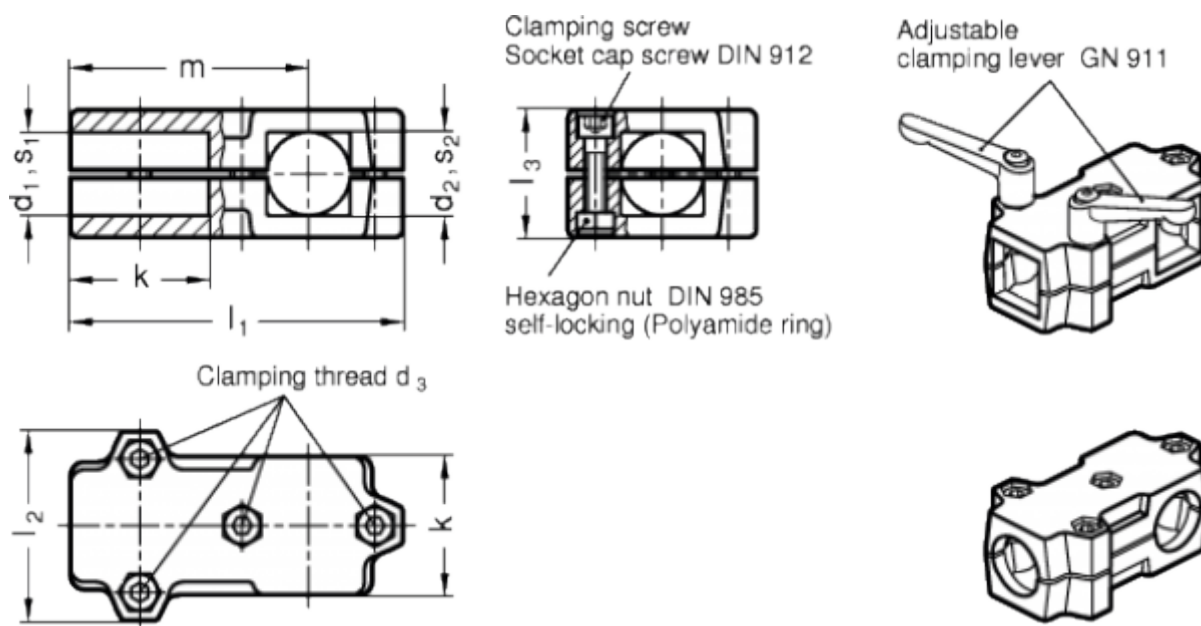


Article number: 20193B45V45762SW
 Description: E+G T-angle clamp
 GN 193-B45-V45-76-2-SW

Measures



Accessories = GN 911-M10-63	m	= -
d1 = 45	s1	= -
d2 = -	s2	= 45
d3 = M10	Weight in (g)	= 1138
k = 76		
l1 = 176		
l2 = 98		
l3 = 70		